

## Canopy Door Gear Specification

14

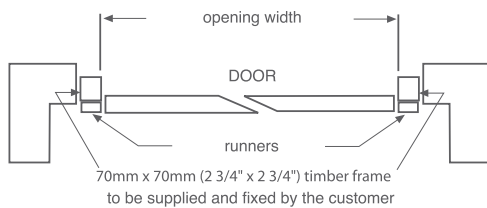
### STANDARD DOOR AND BRICKWORK APERTURE SIZES

canopy gear should be fitted either to a weatherbeaded 70mm x 70mm (2 3/4" x 2 3/4") standard timber 'goalpost' frame (not supplied) or a Wessex steel frame (standard frame dimensions = 54mm (2 1/8") wide on side section (optional 68mm (2 2/3") available on request) 68mm (2 2/3") high on top section, 35mm (1 1/3") deep all round).

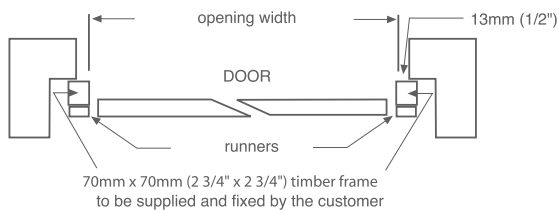
The minimum headroom required above the lower face of the frame head is 48mm (1.7/8").

### NOTES

- In use the lifting gear reduces drive through heights by 91mm (3 5/8"), although there is no reduction in width.
- For back fixed frames allow the frame to overlap into the aperture by 13mm (1/2") on both sides to allow for coursing and tolerances.



Fitting to timber frame, within the brickwork aperture.

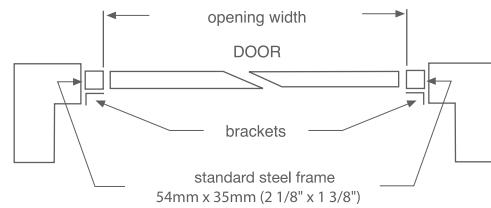


Fitting to timber frame, behind the brickwork aperture.

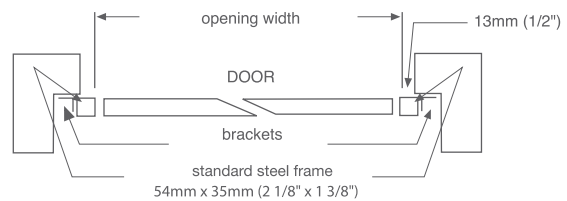
### FITTING FRAMES TO THE BRICKWORK

Frames may be fitted within or behind the brickwork as per the drawings shown. Fitting behind the brickwork, if the garage length allows, will increase the drive-through width.

A weatherbead should always be fitted to the under-side of the door frame lintel in front of the door to hide the top gap. This feature is integral on the Wessex steel frame.



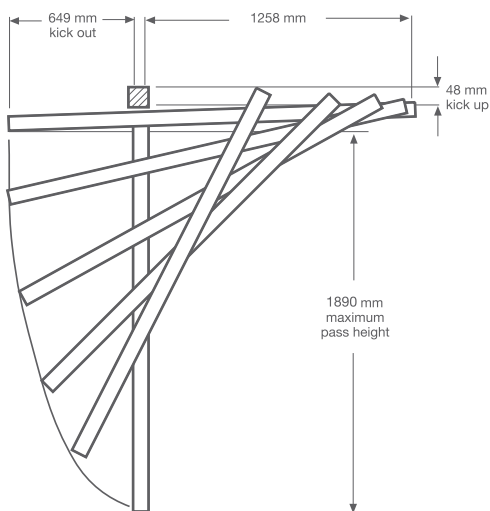
Fitting to Wessex standard steel canopy frame, within the brickwork aperture.



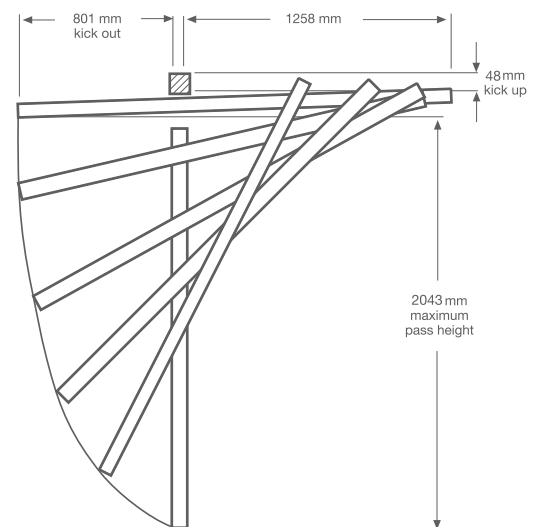
Fitting to Wessex standard steel canopy frame, behind the brickwork aperture.

### Opening arcs of travel

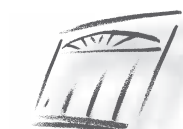
1981mm (6'6") high canopy doors



2134mm (7'0") high canopy doors



ALL OTHER DOOR SPECIFICATIONS For further information, please ask for details.



## Retractable Door Gear Specification

### All DOORS

Supplied with Single, Double or Heavy gear depending on size, see page 13.

- Wessex retractable door gear should be fitted to a weatherbeaded 70mm x 70mm (2 3/4" x 2 3/4") standard timber 'goalpost' frame (not supplied). Alternatively single gear may be fitted to a Wessex quick-fit steel retractable frame (dimensions = 68mm (2 2/3") wide by 60mm (2 1/2") deep all round).
- Doors supplied with double or heavy gear can also be supplied with an optional steel frame kit not pre-fitted to the door. Dimensions: 68mm (2 2/3") wide x 75mm (3") deep.

### NOTES

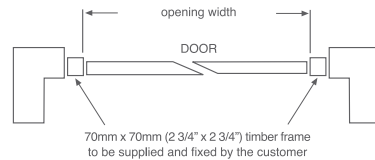
- In use, lifting gear reduces drive through width by up to 130mm (5.1/4") see below. With single retractable gear there is no reduction in drive-through width up to 1048mm (3'5. 1/4") from the ground on 1981mm (6'6") high doors (1200mm (3'11.1/4") on 2134mm (7'0") high doors).
- If drive-through clearances are critical, please ask for full details.

### FITTING FRAMES TO THE BRICKWORK

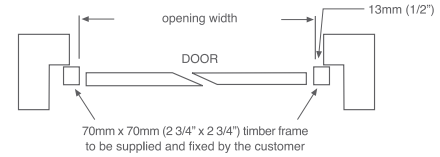
Frames may be fitted within or behind the brickwork as per the drawings shown. Fitting behind the brickwork, if the garage length allows, will increase drive-through width by up to 114mm (4.1/2").

A 20mm x 20mm (4/5" x 4/5") weatherbead should be fitted to the underside of the door frame lintel in front of the door. This feature is integral on the Wessex steel frame.

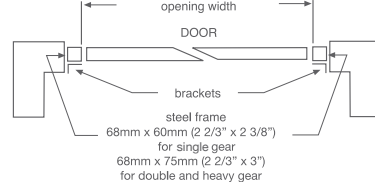
Fitting to timber frame, within the brickwork aperture.



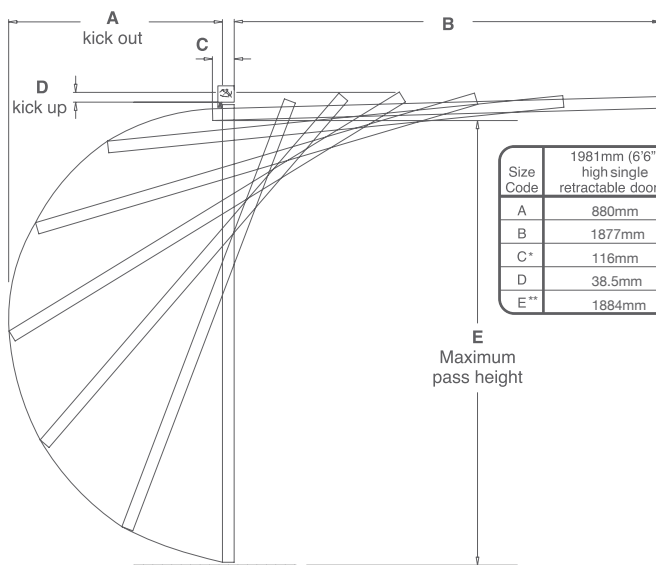
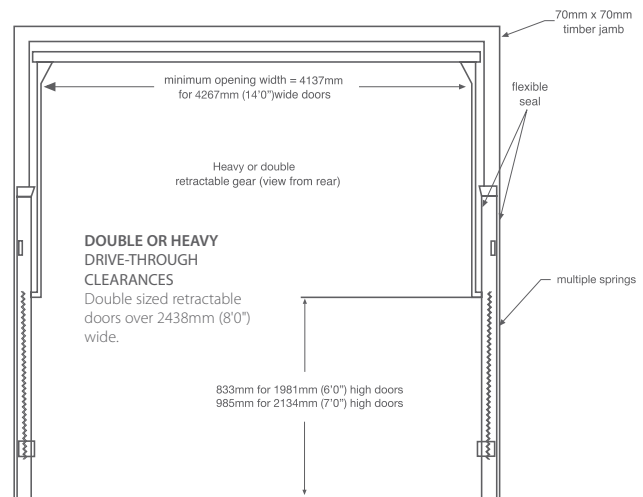
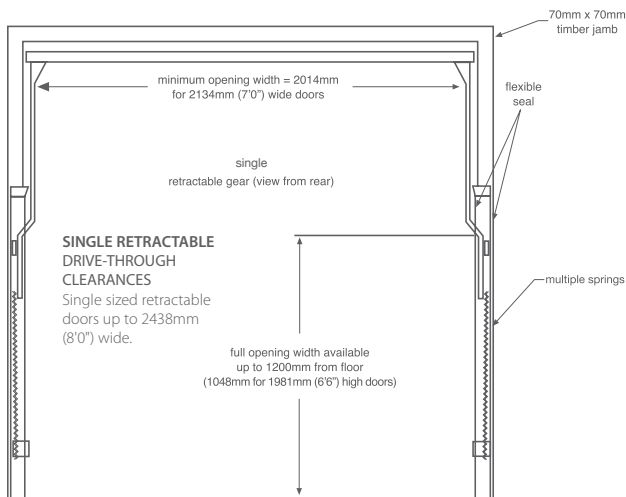
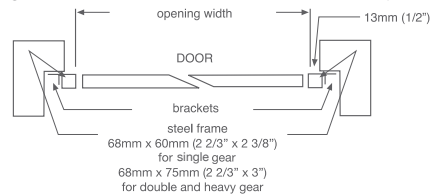
Fitting to timber frame, behind the brickwork aperture.



Fitting to Wessex steel retractable frame, within the brickwork aperture.



Fitting to Wessex steel retractable frame, behind the brickwork aperture.



Size Code	1981mm (6'6") high single retractable doors	2134mm (7'0") high single retractable doors
A	880mm	1030mm
B	1877mm	1877mm
C*	116mm	268mm
D	38.5mm	38.5mm
E**	1884mm	2030mm

Size Code	1981mm (6'6") high double retractable doors	2134mm (7'0") high double retractable doors
A	900mm	1040mm
B	1877mm	1877mm
C*	131mm	283mm
D	43mm	43mm
E**	1890mm	2040mm

\*C The amount that the door protrudes out from the back face of the frame with the door in the open position

\*\*E

Note: For doors over 2134mm (7'0") tall - if drive through is critical please check dimension prior to ordering